



# AC 30

Outdoor antenna L = 3 m



CODE	ARTICLE	PACKAGE	WEIGHT
GANTENNANOG00	AC 30	1 pcs.	0,20 kg

# AC 100

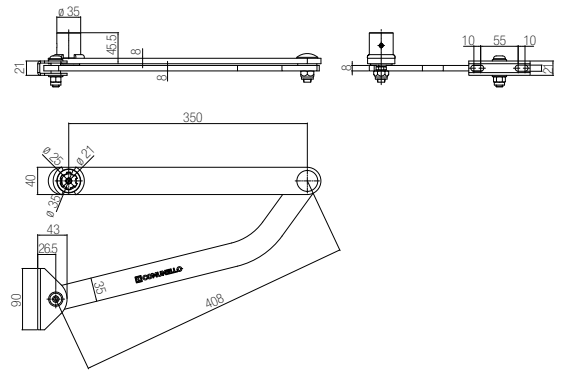
Reversible long articulated arm



only for CONDOR 500

CODE	ARTICLE	PACKAGE	WEIGHT
GCR001BANOG00	AC 100	1 pcs.	2,90 kg

DIMENSIONS



# AC 101

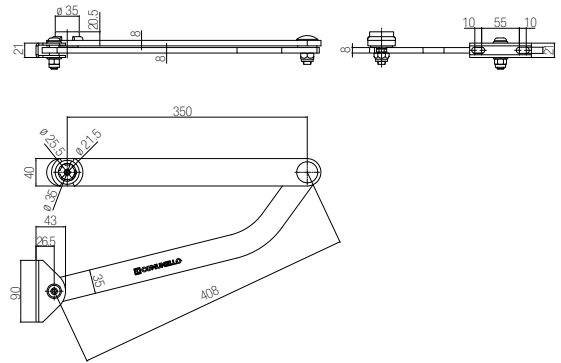
Reversible long articulated arm



only for CONDOR 220 / 300

CODE	ARTICLE	PACKAGE	WEIGHT
GCR004BANOG00	AC 101	1 pcs.	2,90 kg

DIMENSIONS



# AC 108

Slide arm

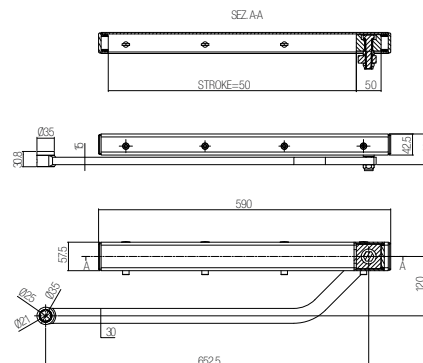
CONDOR 220/350 SERIE

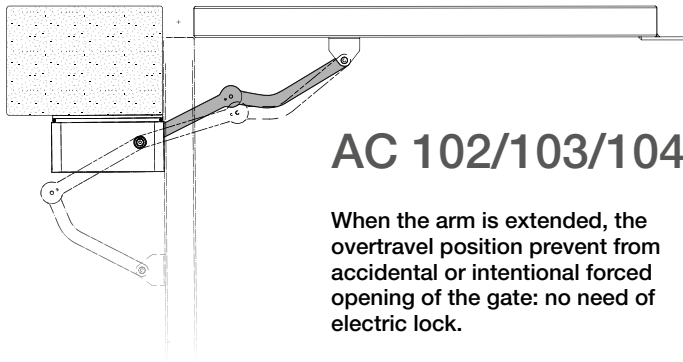


For mechanical limit switch

CODE	ARTICLE	PACKAGE	WEIGHT
GCR008BANOB00	AC 108	1 pcs.	5,10 kg

DIMENSIONS





## AC 102/103/104

When the arm is extended, the overtravel position prevent from accidental or intentional forced opening of the gate: no need of electric lock.

## AC 102

Reversible long articulated arm

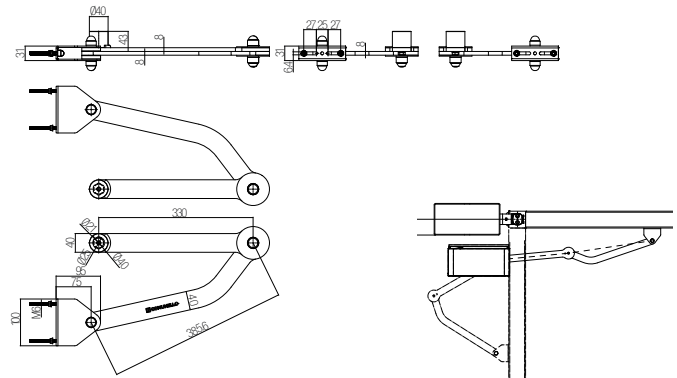
CONDOR 500 SERIE



Coated, with blocking system. For mechanical limit switch

CODE	ARTICLE	PACKAGE	WEIGHT
GCRO01BANOB00	AC 102	1 pcs.	6,30 kg

DIMENSIONS



## AC 103

Reversible long articulated arm

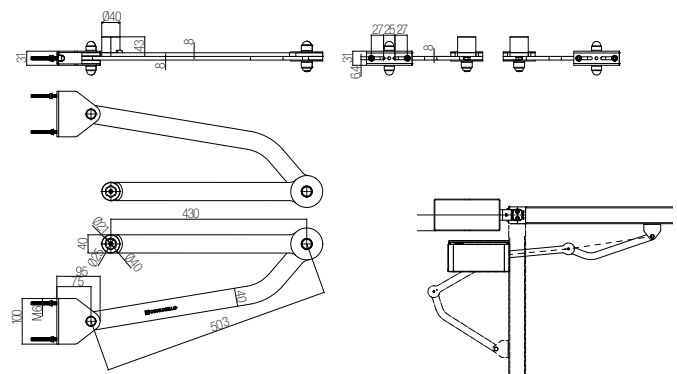
CONDOR 500 SERIE



Coated, with blocking system. For mechanical limit switch

CODE	ARTICLE	PACKAGE	WEIGHT
GCRO02BANOB00	AC 103	1 pcs.	7,40 kg

DIMENSIONS



## AC 104

Reversible long articulated arm

CONDOR 500 SERIE



Coated, with blocking system. For mechanical limit switch

CODE	ARTICLE	PACKAGE	WEIGHT
GCRO03BANOB00	AC 104	1 pcs.	8,20 kg

DIMENSIONS

